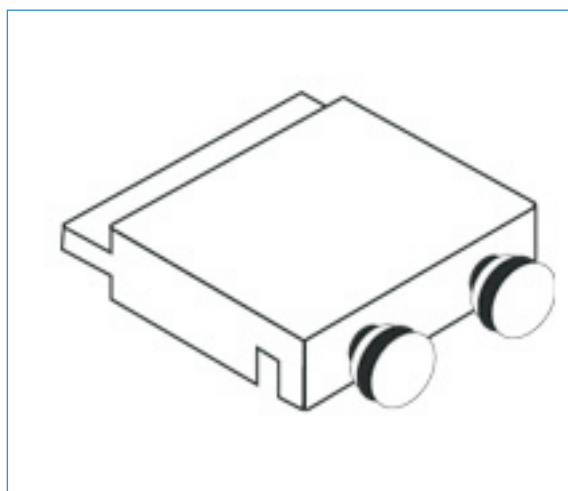




## **Aeon Medical UK**

*suppliers of surgical disposables*

*ISO 9001:2000, CE Certified, WHO GMP Compliant Company*



### **Horizontal Mount Holder**

Made of quality material, our horizontal mount holder is designed with precision for superior flawless performance. Easy to position and adjust, the equipment has found uses in various applications.



## **Aeon Medical UK**

*ISO 9001:2000, CE Certified, WHO GMP Compliant Company*

*Aeon Medical UK Ltd., Linden Lea, Hillwood Grove, Hutton Mount, Essex CM 13 2 PD, UK.*

*Tel. : +441277201166 Fax : +441277200347*

*Email : [info@aeonmedicaluk.com](mailto:info@aeonmedicaluk.com)*